

## SHEET METAL ENCLOSED CHANGEOVER SWITCH I-0-II OPERATION OPEN TRANSITION



## Front operated Change Over Switches RVCO 20...RVCO 125 A

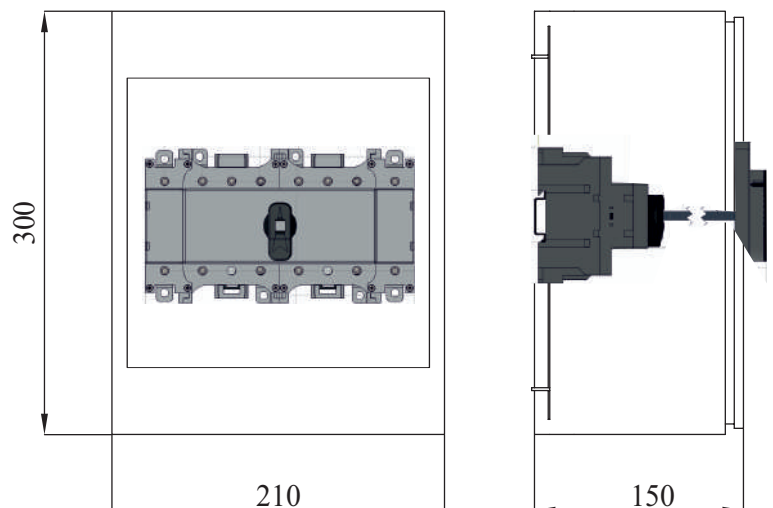
Change Over Switches I-0-II operation, open transition with pistol handle, base mounting, including a black ON-OFF-ON plastic handle and shaft as standard, The handle is IP65 protected, padlockable in the OFF position and with door interlock in the ON position. The shaft can be adjusted to different installation depths.



No. of poles	$I_{th}$ (open) [A]	Cable cross section [mm <sup>2</sup> ]	Rated operat. currents AC22A/ AC23A 400 v [A/A]	Type	Order No	Delivery batch [pcs]	Weight/ unit [Kg]
3	20	0.75...10	20/20	RVCE2003	RVECE0020M03H3	1	5.0
4	20	0.75...10	20/20	RVCE2004	RVECE0020M03H3	1	6.0
3	25	0.75...10	25/25	RVCE2503	RVECE0025M03H3	1	5.0
4	25	0.75...10	25/25	RVCE2504	RVECE0025M03H3	1	6.0
3	32	0.75...10	32/32	RVCE3203	RVECE0032M03H3	1	5.0
4	32	0.75...10	32/32	RVCE3204	RVECE0032M03H3	1	6.0
3	40	0.75...10	40/40	RVCE4003	RVECE0040M03H3	1	5.0
4	40	0.75...10	40/40	RVCE4004	RVECE0040M03H3	1	6.0
3	50	1.5...35	50/50	RVCE5003	RVECE0050M03H3	1	5.0
4	50	1.5...35	50/50	RVCE5004	RVECE0050M03H3	1	6.0
3	63	1.5...35	63/63	RVCE6303	RVECE0063M03H3	1	5.0
4	63	1.5...35	63/63	RVCE6304	RVECE0063M03H3	1	6.0
3	80	1.5...35	80/80	RVCE8003	RVECE0080M03H3	1	5.0
4	80	10...70	80/80	RVCE8004	RVECE0080M03H3	1	6.0
3	100	10...70	100/100	RVCE10003	RVECE0100M03H3	1	5.0
4	100	10...70	100/100	RVCE10004	RVECE0100M03H3	1	6.0
3	125	10...70	125/125	RVCE12503	RVECES125M03H3	1	5.0
4	125	10...70	125/125	RVCE12504	RVECES125M03H3	1	6.0

Shafts and handles included as standard

Stainless Steel enclosure are available on request.



## Steel sheet enclosed front operated Change Over Switches RVCE 125...RVCE 315A

### Change Over Switches I-0-II operation, open transition with pistol handle, base mounting, IEC

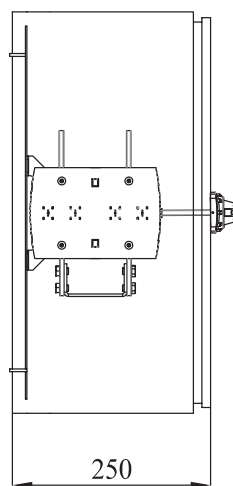
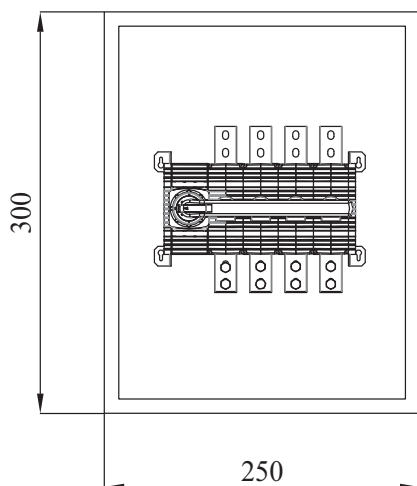
including a black ON-OFF plastic handle and shaft as standard. The handle is IP65 protected, padlockable in the OFF- position and with door interlock in the ON-position. The shaft can be adjusted to different installation depths.



No. of poles	I <sub>th</sub> (open) [A]	Rated operat. currents AC22A/ AC23A 400 V [A/A]	Type	Order number	Units/ type [pcs]	Weight/ unit [Kg]
3	200	200/125	RVCE12503	RVECE0125M03H3	1	10.92
4	200	200/125	RVCE12504	RVECE0125M04H3	1	11.28
3	200	200/125	RVCE12512	RVECE0125M12H3	1	10.92
4	200	200/125	RVCE12522	RVECE0125M22H3	1	11.28
3	200	200/160	RVCE16003	RVECE0160M03H3	1	10.92
4	200	200/160	RVCE16004	RVECE0160M04H3	1	11.28
3	200	200/160	RVCE16012	RVECE0160M12H3	1	10.92
4	200	200/160	RVCE16022	RVECE0160M22H3	1	11.28
3	200	200/200	RVCE20003	RVECE0200M03H3	1	10.92
4	200	200/200	RVCE20004	RVECE0200M04H3	1	11.28
3	200	200/200	RVCE20012	RVECE0200M12H3	1	10.92
4	200	200/200	RVCE20022	RVECE0200M22H3	1	11.28
3	250	250/250	RVCE25003	RVECE0250M03H3	1	10.92
4	250	250/250	RVCE25004	RVECE0250M04H3	1	11.28
3	250	250/250	RVCE25012	RVECE0250M12H3	1	10.92
4	250	250/250	RVCE25022	RVECE0250M22H3	1	11.28
3	315	315/315	RVCE31503	RVECES315M03H3	1	10.92
4	315	315/315	RVCE31504	RVECES315M04H3	1	11.28
3	315	315/315	RVCE31512	RVECES315M12H3	1	10.92
4	315	315/315	RVCE31522	RVECES315M22H3	1	11.28

Protection-IP55/65

Stainless Steel enclosure are available on request.

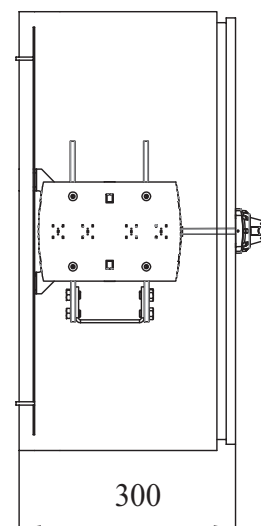
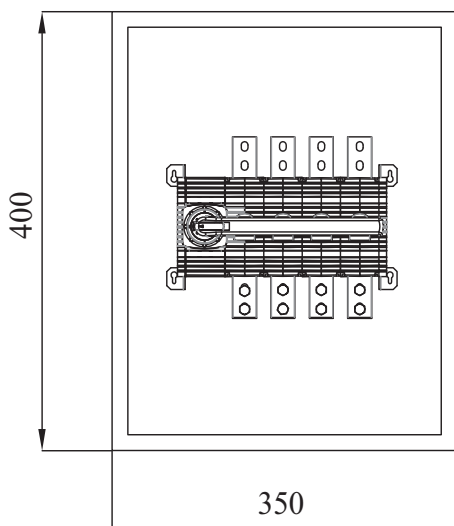


Steel sheet enclosed front operated Change Over Switches  
RVCE 315...RVCE 630 A

No. of poles	$I_{th}$ (open) [A]	Rated operat. currents AC22A/ AC23A 400 V [A/A]	Type	Order number	Units/ type [pcs]	Weight/ unit [Kg]
3	315	315/315	RVCE31503	RVECE0315M03H3	1	25.87
4	315	315/315	RVCE31504	RVECE0315M04H3	1	27.20
3	315	315/315	RVCE31512	RVECE0315M12H3	1	25.87
4	315	315/315	RVCE31522	RVECE0315M22H3	1	27.20
3	400	400/400	RVCE40003	RVECE0400M03H3	1	25.87
4	400	400/400	RVCE40004	RVECE0400M04H3	1	27.20
3	400	400/400	RVCE40012	RVECE0400M12H3	1	25.87
4	400	400/400	RVCE40022	RVECE0400M22H3	1	27.20
3	500	500/500	RVCE50003	RVECE0500M03H3	1	25.87
4	500	500/500	RVCE50004	RVECE0500M04H3	1	27.20
3	500	500/500	RVCE50012	RVECE0500M12H3	1	25.87
4	500	500/500	RVCE50022	RVECE0500M22H3	1	27.20
3	630	630/630	RVCE63003	RVECES630M03H3	1	25.87
4	630	630/630	RVCE63004	RVECES630M04H3	1	27.20
3	630	630/630	RVCE63012	RVECES630M12H3	1	25.87
4	630	630/630	RVCE63022	RVECES630M22H3	1	27.20

Protection-IP55/65

Stainless Steel enclosure are available on request.

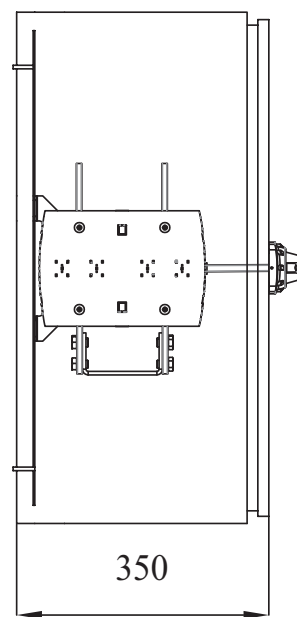
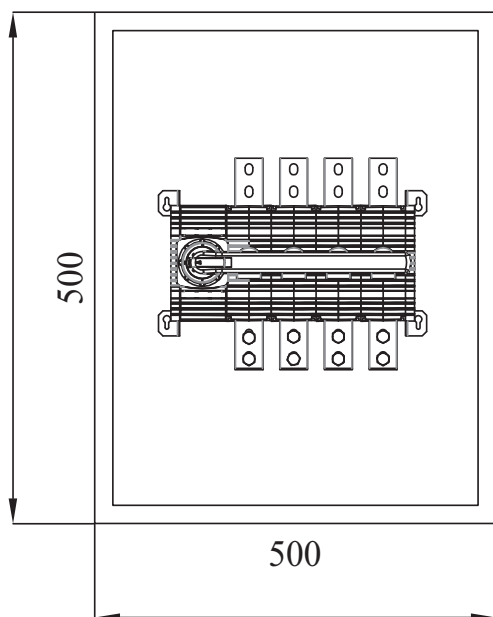




No. of poles	I <sub>th</sub> (open) [A]	Rated operat. currents AC22A/ AC23A 400 v [A/A]	Type	Order number	Units/ type [pcs]	Weight/ unit [Kg]
3	500	500/500	RVCE50003	RVECE0500M03H3	1	58.00
4	500	500/500	RVCE50004	RVECE0500M04H3	1	61.80
3	500	500/500	RVCE50012	RVECE0500M12H3	1	58.00
4	500	500/500	RVCE50022	RVECE0500M22H3	1	61.80
3	630	630/630	RVCE63003	RVECE0630M03H3	1	58.00
4	630	630/630	RVCE63003	RVECE0630M04H3	1	61.80
3	630	630/630	RVCE63012	RVECE0630M12H3	1	58.00
4	630	630/630	RVCE63022	RVECE0630M22H3	1	61.80
3	800	800/800	RVCE80003	RVECE0800M03H3	1	58.00
4	800	800/800	RVCE80004	RVECE0800M04H3	1	61.80
3	800	800/800	RVCE80012	RVECE0800M12H3	1	58.00
4	800	800/800	RVCE80022	RVECE0800M22H3	1	61.80

Protection-IP55/65

Stainless Steel enclosure are available on request.



Steel sheet enclosed front operated Change Over Switches  
RVCE1000...RVCE1600 A

No. of poles	$I_{th}$ (open) [A]	Rated operat. currents AC22A/ AC23A 400 v [A/A]	Type	Order number	Units/ type [pcs]	Weight/ unit [Kg]
3	1000	1000/1000	RVCE100003	RVECE1000M03H3	1	97.50
4	1000	1000/1000	RVCE100004	RVECE1000M04H3	1	99.50
3	1000	1000/1000	RVCE100012	RVECE1000M12H3	1	97.50
4	1000	1000/1000	RVCE100022	RVECE1000M22H3	1	99.50
3	1250	1250/1250	RVCE125003	RVECE1250M03H3	1	97.50
4	1250	1250/1250	RVCE125004	RVECE1250M04H3	1	99.50
3	1250	1250/1250	RVCE125012	RVECE1250M12H3	1	97.50
4	1250	1250/1250	RVCE125022	RVECE1250M22H3	1	99.50
3	1600	1600/1600	RVCE160003	RVECE1600M03H3	1	108.00
4	1600	1600/1600	RVCE160004	RVECE1600M04H3	1	121.00
3	1600	1600/1600	RVCE160012	RVECE1600M12H3	1	108.00
4	1600	1600/1600	RVCE160022	RVECE1600M22H3	1	121.00

Protection-IP55/65

Stainless Steel enclosure are available on request.

