

- ▶ 10 FUNCTIONS SELECTABLE
- ▶ TIME RANGE 0.1s - 10d
- ▶ UNIVERSAL SUPPLY 24-75V $\overline{\sim}$ /24-240V \sim
- ▶ OUTPUT 1 or 2 RELAY 1 POLE CHANGEOVER CONTACT
- ▶ COMPACT SIZE - 1 MODULE - 17.5mm
- ▶ DIN RAIL MOUNTING EN50.022
- ▶ SELF-EXTINGUISHED MATERIAL UL94 V0



■ TYPICAL APPLICATION: AUTOMATION CONTROL

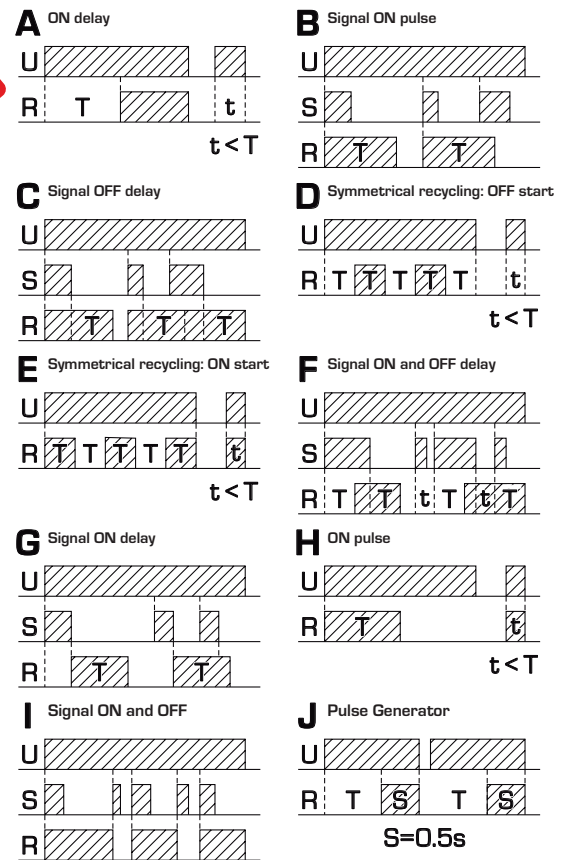
EU Directives - CE Marking:

- > 2014/30/UE - EMC
- > 2014/35/UE - LVD

TECHNICAL DATA

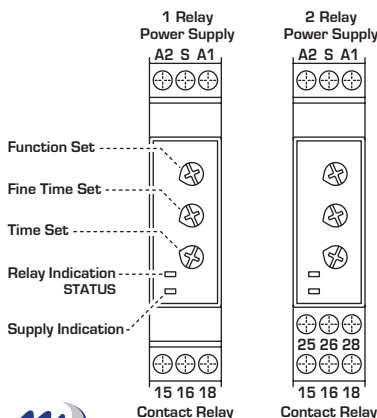
UNIT	DTMSMM1	DTMSMM1-16	DTMSMM2
INPUT			
Supply voltage DC $\pm 10\%$	V $\overline{\sim}$	24 - 75	24 - 60
Supply voltage AC $\pm 10\%$	V \sim	24 - 240	24-48/110-240
Nominal Frequency	Hz	50 - 60 (range: 47 - 63)	
Power consumption (max. AC)	VA	12	
Supply indication (U)	-	Green LED	
Impulse length (min)	ms	25	
OUTPUT RELAY			
Rating	-	1 x 8A SPDT 250V $\overline{\sim}$ /24V $\overline{\sim}$	1 x 16A SPDT 250V $\overline{\sim}$ /24V $\overline{\sim}$ 2 x 8A SPDT 250V $\overline{\sim}$ /24V $\overline{\sim}$
Max switching power	VA	2000	4000 2000
Max switching voltage	V \sim	400	440 400
Min switching load	-	10mA 12V $\overline{\sim}$	40mA 24V $\overline{\sim}$ 10mA 12V $\overline{\sim}$
Contact life	Mech.	30 x 10 ³ ops	20 x 10 ⁶ ops
	Electr.	100 x 10 ³ ops	30 x 10 ³ ops
Changeover contacts	-	AgNiO.15	Ag-alloy AgNiO.15
Output Indication (R)	-	Red LED	
GENERAL			
Time Range rotary switch (T)	-	0.1s - 10d	
Time Deviation	%	5	
Repeat Accuracy	%	0.2 Set value	
Rise time	ms	150	
Working temperature	°C	-20 / +50	
Storage temperature	°C	-30 / +70	
Electrical Insulation	kV	4	
Overvoltage Category	-	III	
Protection degree	IP	20	
Pollution degree	-	2	
Climatic category according to (without condensation)	-	IEC 60068-1 (20/050/60) DIN 40040 (class D)	
Altitude up to	m	2000	
Weight	g	65	
Dimensions	mm	98 x 17.5 x 64	

FUNCTIONS

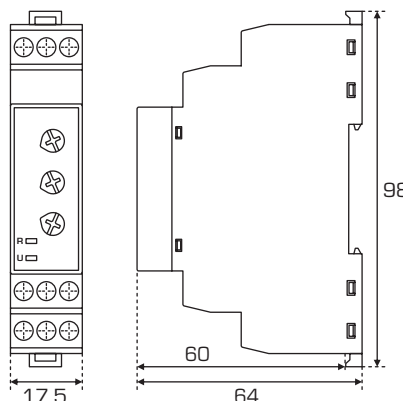


NOTE:
Whenever you change the Function, you must restart the device.

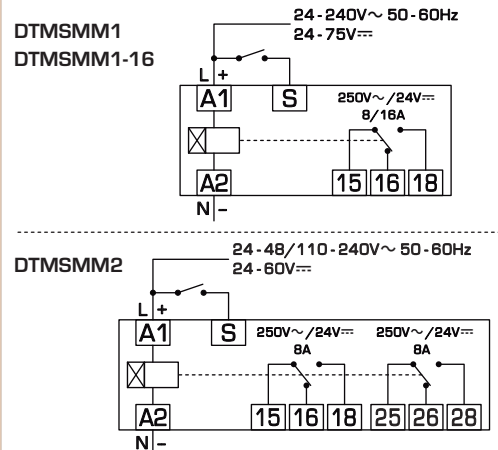
DESCRIPTION



DIMENSIONS (mm)

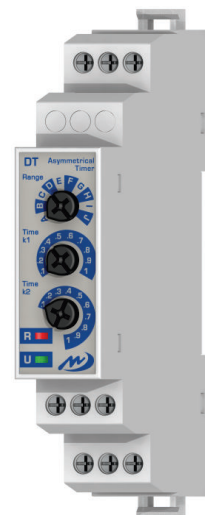


WIRING DIAGRAM



DT DTMSMA1/-16 / DTMSMA2 Programmable Asymmetrical Timer

- ▶ 10 TIME SELECTABLE
- ▶ TIME RANGE 0.2s - 20h
- ▶ UNIVERSAL SUPPLY 24-75V \sim /24-240V \sim
- ▶ OUTPUT 1 or 2 RELAY 1 POLE CHANGEOVER CONTACT
- ▶ COMPACT SIZE - 1 MODULE - 17.5mm
- ▶ DIN RAIL MOUNTING EN50.022
- ▶ SELF-EXTINGUISHED MATERIAL UL94 V0



■ TYPICAL APPLICATION: AUTOMATION CONTROL

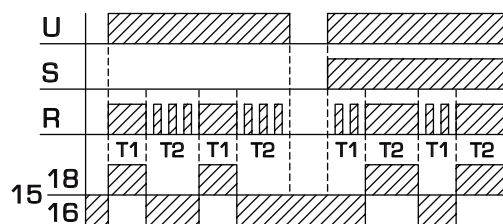
EU Directives - CE Marking:

- > 2014/30/UE - EMC
- > 2014/35/UE - LVD

TECHNICAL DATA

INPUT	UNIT	DTMSMA1	DTMSMA1-16	DTMSMA2
Supply voltage DC \pm 10%	V \sim	24 - 75		24 - 60
Supply voltage AC \pm 10%	V \sim	24 - 240		24-48/110-240
Nominal Frequency	Hz	50 - 60 (range: 47 - 63)		
Power consumption (max. AC)	VA	12		
Supply indication (U)	-	Green LED		
Power Reset	ms	200		
OUTPUT RELAY				
Rating	-	1 x 8A SPDT 250V \sim /24V \sim	1 x 16A SPDT 250V \sim /24V \sim	2 x 8A SPDT 250V \sim /24V \sim
Max switching power	VA	2000	4000	2000
Max switching voltage	V \sim	400	440	400
Min switching load	-	10mA 12V \sim	40mA 24V \sim	10mA 12V \sim
Contact life	Mech.	30 x 10 ³ ops	20 x 10 ³ ops	30 x 10 ³ ops
	Electr.	100 x 10 ³ ops	30 x 10 ³ ops	100 x 10 ³ ops
Changeover contacts	-	AgNiO.15	Ag-alloy	AgNiO.15
Output Indication (R)	-	Red LED		
GENERAL				
Time Range rotary switch (T)	-	0.2s - 20h		
Time Deviation	%	5		
Repeat Accuracy	%	0.2 Set value		
Rise time	ms	150		
Working temperature	$^{\circ}$ C	-20 / +50		
Storage temperature	$^{\circ}$ C	-30 / +70		
Electrical Insulation	kV	4		
Overvoltage Category	-	III		
Protection degree	IP	20		
Pollution degree	-	2		
Climatic category according to (without condensation)	-	IEC 60068-1 (20/050/60) DIN 40040 (class D)		
Altitude up to	m	2000		
Weight	g	65		
Dimensions	mm	98 x 17.5 x 64		

FUNCTIONS 1 RELAY



FUNCTIONS 2 RELAY

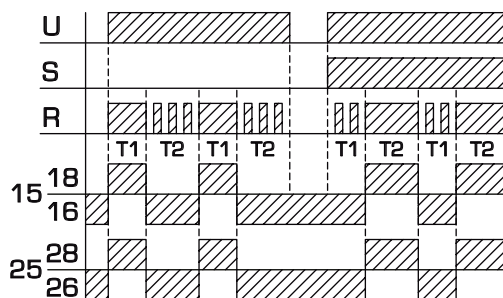
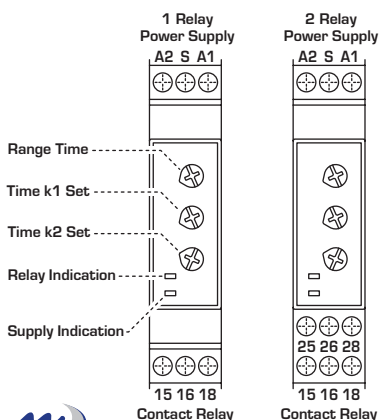


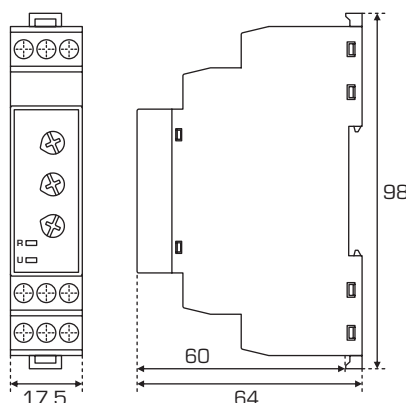
TABLE TIME RANGE SET

Range	T1 Max	T2 Max	Adj T1	Adj T2
A	2s	2s	k1 x2s	k2 x2s
B	10s	10s	k1 x10s	k2 x10s
C	60s	60s	k1 x60s	k2 x60s
D	10m	60s	k1 x10m	k2 x60s
E	60m	60s	k1 x60m	k2 x60s
F	10m	10m	k1 x10m	k2 x10m
G	60m	60m	k1 x60m	k2 x60m
H	10h	60m	k1 x10h	k2 x60m
I	10h	10h	k1 x10h	k2 x10h
J	20h	20h	k1 x20h	k2 x20h

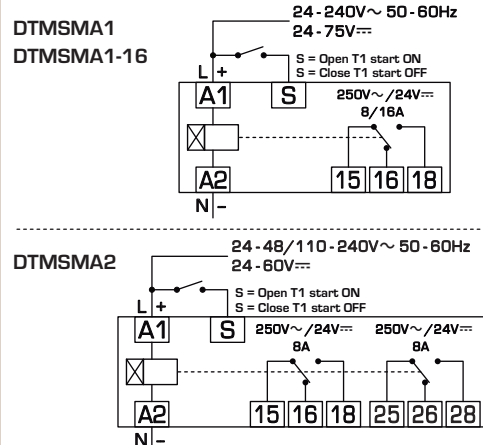
DESCRIPTION



DIMENSIONS (mm)



WIRING DIAGRAM



- ▶ TIME RANGE 0.1s - 10d
- ▶ ENERGIZING AT THE END OF TIME DELAY
- ▶ UNIVERSAL SUPPLY 24-75V \sim /24-240V \sim
- ▶ OUTPUT 1 or 2 RELAY 1 POLE CHANGEOVER CONTACT
- ▶ COMPACT SIZE - 1 MODULE - 17.5mm
- ▶ DIN RAIL MOUNTING EN50.022
- ▶ SELF-EXTINGUISHED MATERIAL UL94 V0

■ TYPICAL APPLICATION: AUTOMATION CONTROL

EU Directives - CE Marking:

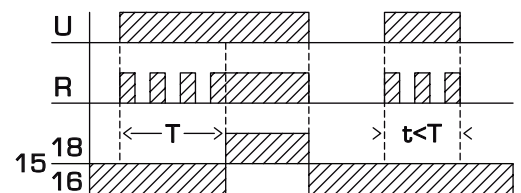
- > 2014/30/UE - EMC
- > 2014/35/UE - LVD



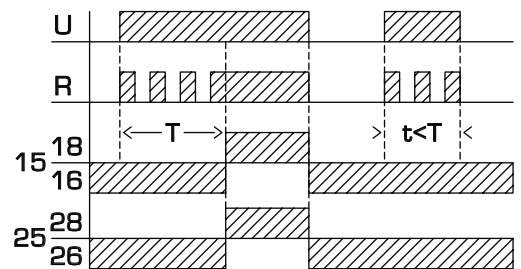
TECHNICAL DATA

INPUT	UNIT	DTMSLD1	DTMSLD2
Supply voltage DC $\pm 10\%$	V \sim	24 - 75	24 - 60
Supply voltage AC $\pm 10\%$	V \sim	24 - 240	24-48/110-240
Nominal Frequency	Hz	50 - 60 [range: 47 - 63]	
Power consumption [max. AC]	VA	12	
Supply indication [U]	-	Green LED	
OUTPUT RELAY			
Rating	-	1 x 8A SPDT 250V \sim /24V \sim	2 x 8A SPDT 250V \sim /24V \sim
Max switching power	VA	2000	
Max switching voltage	V \sim	400	
Min switching load	-	10mA 12V \sim	
Contact life	Mech. Electr.	30 x 10 ³ ops 100 x 10 ³ ops	
Changeover contacts	-	AgNi0.15	
Output Indication [R]	-	Red LED	
GENERAL			
Time Range rotary switch [T]	-	0.1s - 10d	
Time Deviation	%	5	
Repeat Accuracy	%	0.2 Set value	
Rise time	ms	150	
Working temperature	$^{\circ}$ C	-20 / +50	
Storage temperature	$^{\circ}$ C	-30 / +70	
Electrical Insulation	kV	4	
Oversoltage Category	-	III	
Protection degree	IP	20	
Pollution degree	-	2	
Climatic category according to (without condensation)	-	IEC 60068-1 [20/050/60] DIN 40040 [class D]	
Altitude up to	m	2000	
Weight	g	45	
Dimensions	mm	98 x 17.5 x 64	

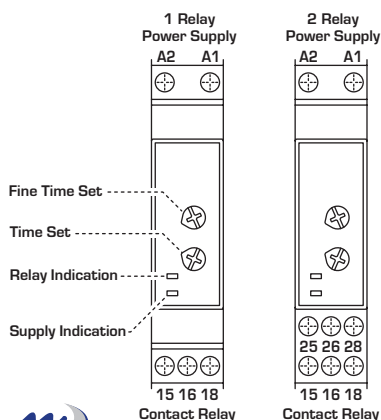
FUNCTIONS 1 RELAY



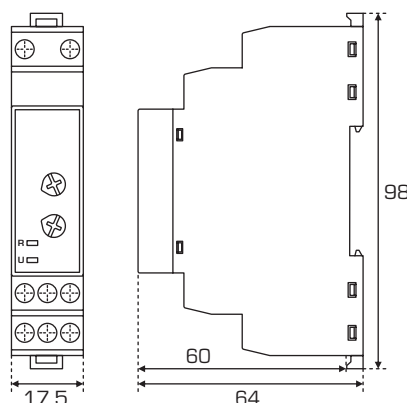
FUNCTIONS 2 RELAY



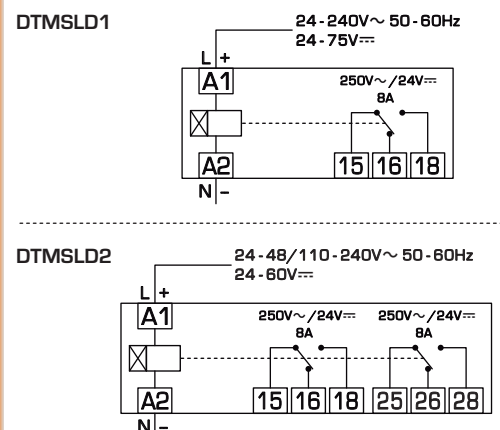
DESCRIPTION



DIMENSIONS (mm)



WIRING DIAGRAM



- ▶ ENERGIZING AT THE END OF TIME DELAY
- ▶ FIXED TIME 1s (customizable on request)
- ▶ UNIVERSAL SUPPLY 24-75V $\overline{\sim}$ /24-240V \sim
- ▶ OUTPUT 1 or 2 RELAY 1 POLE CHANGEOVER CONTACT
- ▶ COMPACT SIZE - 1 MODULE - 17.5mm
- ▶ DIN RAIL MOUNTING EN50.022
- ▶ SELF-EXTINGUISHED MATERIAL UL94 V0



■ TYPICAL APPLICATION: COMPRESSOR

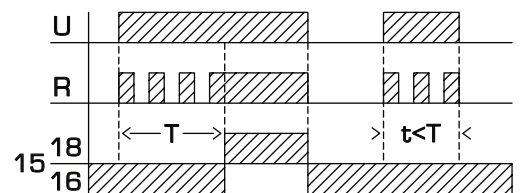
EU Directives - CE Marking:

- > 2014/30/UE - EMC
- > 2014/35/UE - LVD

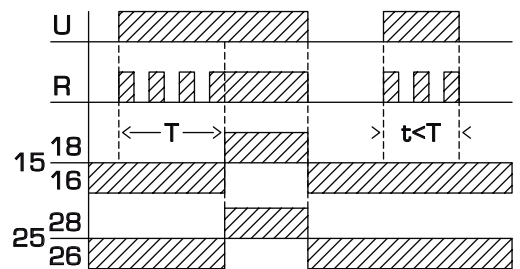
TECHNICAL DATA

INPUT	UNIT	DTMSHD1	DTMSHD2
Supply voltage DC $\pm 10\%$	V $\overline{\sim}$	24 - 75	24 - 60
Supply voltage AC $\pm 10\%$	V \sim	24 - 240	24 - 48/110 - 240
Nominal Frequency	Hz	50 - 60 (range: 47 - 63)	
Power consumption (max. AC)	VA	12	
Supply indication (U)	-	Green LED	
OUTPUT RELAY			
Rating	-	1 x 8A SPDT 250V \sim /24V $\overline{\sim}$	2 x 8A SPDT 250V \sim /24V $\overline{\sim}$
Max switching power	VA	2000	
Max switching voltage	V \sim	400	
Min switching load	-	10mA 12V $\overline{\sim}$	
Contact life	Mech. Electr.	30 x 10 ³ ops 100 x 10 ³ ops	
Changeover contacts	-	AgNi0.15	
Output Indication (R)	-	Red LED	
GENERAL			
Fixed Time (T)	s	1	
Min break time	ms	10	
Working temperature	$^{\circ}$ C	-20 / +50	
Storage temperature	$^{\circ}$ C	-30 / +70	
Electrical Insulation	kV	4	
Oversoltage Category	-	III	
Protection degree	IP	20	
Pollution degree	-	2	
Climatic category according to (without condensation)	-	IEC 60068-1 [20/050/60] DIN 40040 [class D]	
Altitude up to	m	2000	
Weight	g	45	
Dimensions	mm	98 x 17.5 x 64	

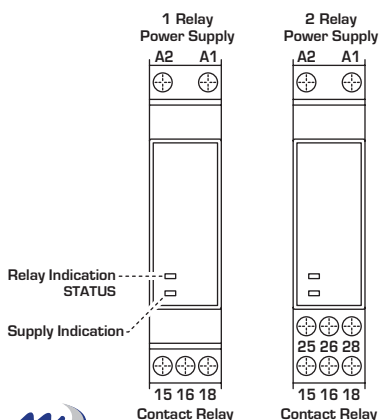
FUNCTIONS 1 RELAY



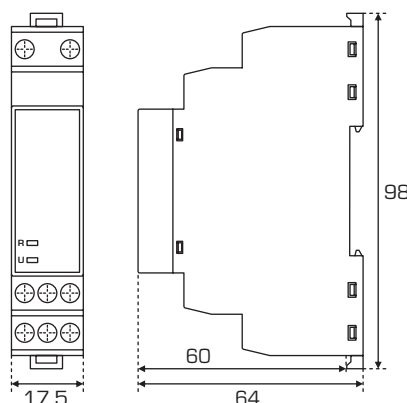
FUNCTIONS 2 RELAY



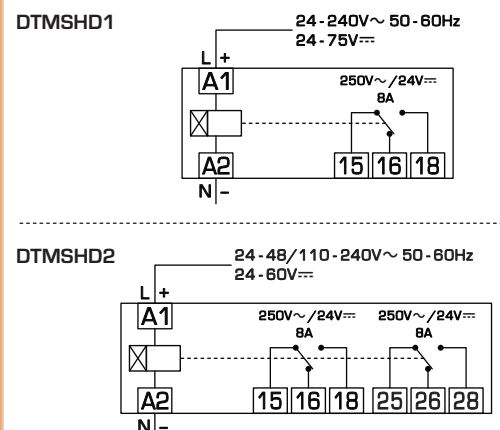
DESCRIPTION



DIMENSIONS (mm)



WIRING DIAGRAM



- ▶ DE-ENERGIZING AT THE END OF TIME DELAY
- ▶ FIXED TIME 3s (customizable on request)
- ▶ UNIVERSAL SUPPLY 24-75V \sim /24-240V \sim
- ▶ OUTPUT 1 or 2 RELAY 1 POLE CHANGEOVER CONTACT
- ▶ COMPACT SIZE - 1 MODULE - 17.5mm
- ▶ DIN RAIL MOUNTING EN50.022
- ▶ SELF-EXTINGUISHED MATERIAL UL94 V0

■ TYPICAL APPLICATION: COMPRESSOR

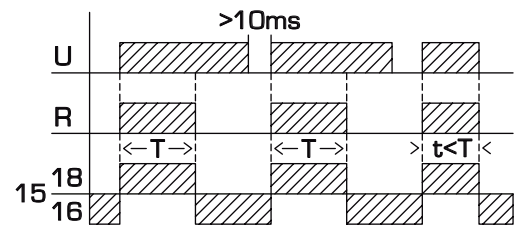
EU Directives - CE Marking:

- > 2014/30/UE - EMC
- > 2014/35/UE - LVD

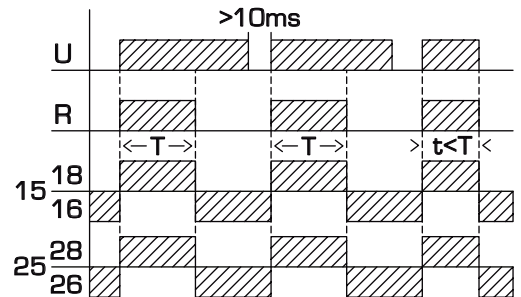
TECHNICAL DATA

	UNIT	DTMSOD1	DTMSOD2
INPUT			
Supply voltage DC $\pm 10\%$	V \sim	24 - 75	24 - 60
Supply voltage AC $\pm 10\%$	V \sim	24 - 240	24-48/110-240
Nominal Frequency	Hz	50 - 60 (range: 47 - 63)	
Power consumption (max. AC)	VA	12	
Supply indication (U)	-	Green LED	
OUTPUT RELAY			
Rating	-	1 x 8A SPDT 250V \sim /24V \sim	2 x 8A SPDT 250V \sim /24V \sim
Max switching power	VA	2000	
Max switching voltage	V \sim	400	
Min switching load	-	10mA 12V \sim	
Contact life	Mech. Electr.	30 x 10 ³ ops 100 x 10 ³ ops	
Changeover contacts	-	AgNi0.15	
Output Indication (R)	-	Red LED	
GENERAL			
Fixed Time (T)	s	3	
Min break time	ms	10	
Working temperature	$^{\circ}$ C	-20 / +50	
Storage temperature	$^{\circ}$ C	-30 / +70	
Electrical Insulation	kV	4	
Oversoltage Category	-	III	
Protection degree	IP	20	
Pollution degree	-	2	
Climatic category according to (without condensation)	-	IEC 60068-1 [20/050/60] DIN 40040 [class D]	
Altitude up to	m	2000	
Weight	g	45	
Dimensions	mm	98 x 17.5 x 64	

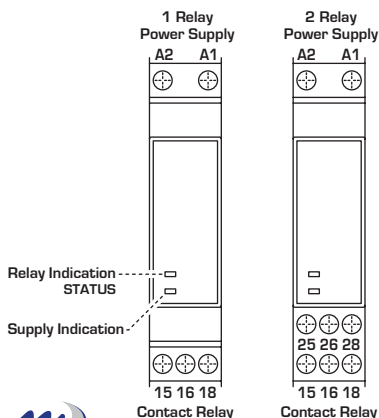
FUNCTIONS 1 RELAY



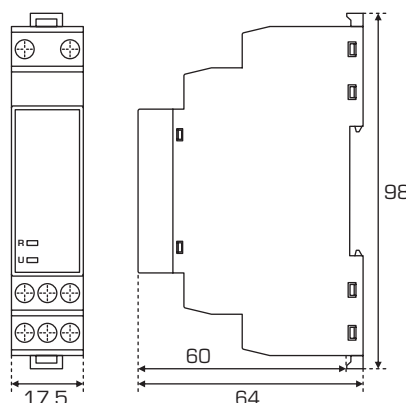
FUNCTIONS 2 RELAY



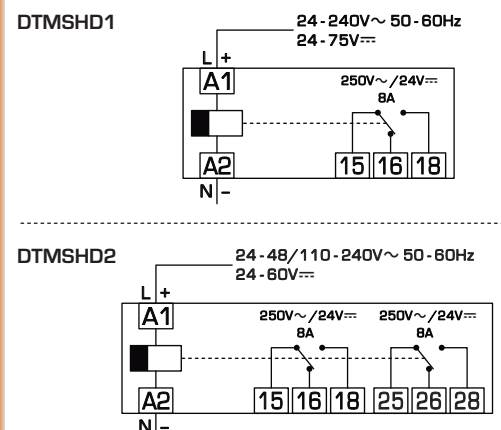
DESCRIPTION



DIMENSIONS (mm)



WIRING DIAGRAM



- ▶ TIME RANGE Δ : 1 - 60s
- ▶ STAR RELAY: ENERGIZES AFTER DELAY
- ▶ LED INDICATOR FOR RELAY Δ CLOSED
- ▶ 2 OUTPUT RELAY 1 POLE CHANGEOVER CONTACT
- ▶ COMPACT SIZE - 1 MODULE - 17.5mm
- ▶ DIN RAIL MOUNTING EN50.022
- ▶ SELF-EXTINGUISHED MATERIAL UL94 V0

■ TYPICAL APPLICATION: MOTOR STARTING

EU Directives - CE Marking:

> 2014/30/UE - EMC

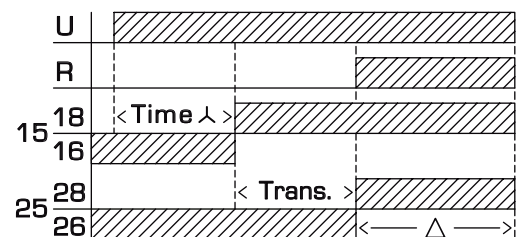
> 2014/35/UE - LVD



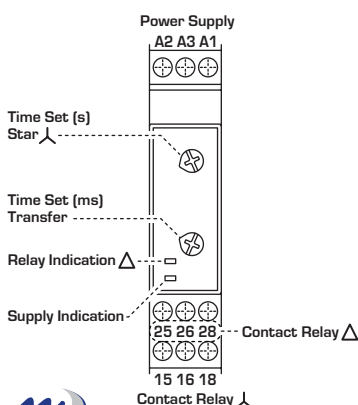
TECHNICAL DATA

INPUT	UNIT	DTMVQD2	DTMUQD2	DTMOQD2
Supply voltage DC $\pm 10\%$	V \equiv	24		/
Supply voltage AC $\pm 10\%$	V \sim	24/115	24/240	415
Nominal Frequency	Hz	50 - 60 (range: 47 - 63)		
Power consumption (max. AC)	VA	4.4	10.3	15
Supply indication (U)	-	Green LED		
OUTPUT RELAY				
Rating	-	8A - 250V \sim /24V \equiv		8A - 250V \sim
Max switching power	VA	2000		
Max switching voltage	V \sim	400		
Min switching load	-	10mA 12V \equiv		
Contact life	Mech.	30 x 10 ³ ops		
	Electr.	100 x 10 ³ ops		
Changeover contacts	-	AgNiO.15		
Output Indication (R)	-	Red LED		
GENERAL				
Delayed Start (Time Δ)	s	1 - 60		
Transition delay (Trans.)	ms	20 - 300		
Rise time	ms	100		
Working temperature	$^{\circ}$ C	-20 / +50		
Storage temperature	$^{\circ}$ C	-30 / +70		
Electrical Insulation	kV	4		
Oversoltage Category	-	III		
Protection degree	IP	20		
Pollution degree	-	2		
Climatic category according to (without condensation)	-	IEC 60068-1 (20/050/60) DIN 40040 (class D)		
Altitude up to	m	2000		
Weight	g	45		
Dimensions	mm	98 x 17.5 x 64		

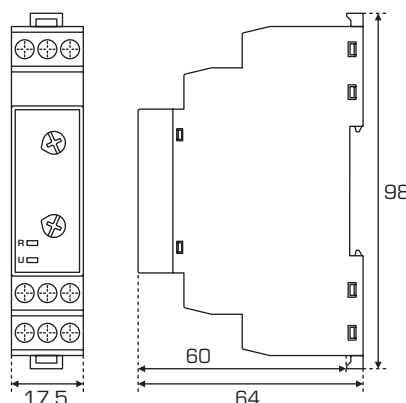
FUNCTIONS



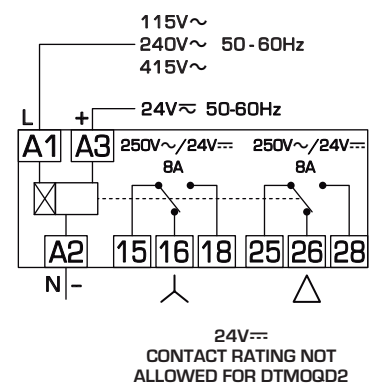
DESCRIPTION



DIMENSIONS (mm)



WIRING DIAGRAM



- ▶ TIME RANGE Δ : 1 - 60s
- ▶ STAR RELAY: ENERGIZES IMMEDIATELY
- ▶ LED INDICATOR FOR RELAY Δ CLOSED
- ▶ 2 OUTPUT RELAY 1 POLE CHANGEOVER CONTACT
- ▶ COMPACT SIZE - 1 MODULE - 17.5mm
- ▶ DIN RAIL MOUNTING EN50.022
- ▶ SELF-EXTINGUISHED MATERIAL UL94 V0

■ TYPICAL APPLICATION: MOTOR STARTING

EU Directives - CE Marking:

> 2014/30/UE - EMC

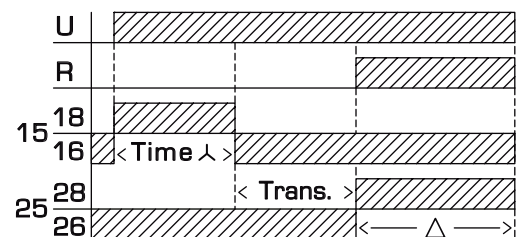
> 2014/35/UE - LVD



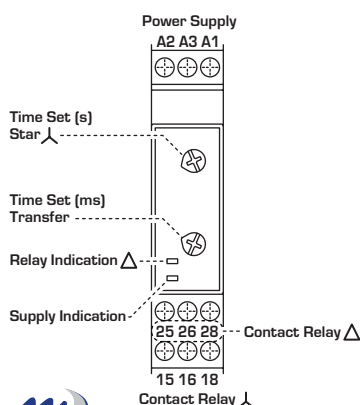
TECHNICAL DATA

INPUT	UNIT	DTMVQI2	DTMUQI2	DTMOQI2
Supply voltage DC $\pm 10\%$	V \equiv	24		/
Supply voltage AC $\pm 10\%$	V \sim	24/115	24/240	415
Nominal Frequency	Hz	50 - 60 (range: 47 - 63)		
Power consumption (max. AC)	VA	4.4	10.3	15
Supply indication (U)	-	Green LED		
OUTPUT RELAY				
Rating	-	8A - 250V \sim /24V \equiv		8A - 250V \sim
Max switching power	VA	2000		
Max switching voltage	V \sim	400		
Min switching load	-	10mA 12V \equiv		
Contact life	Mech.	30 x 10 ³ ops		
	Electr.	100 x 10 ³ ops		
Changeover contacts	-	AgNiO.15		
Output Indication (R)	-	Red LED		
GENERAL				
Delayed Start (Time Δ)	s	1 - 60		
Transition delay (Trans.)	ms	20 - 300		
Rise time	ms	100		
Working temperature	$^{\circ}$ C	-20 / +50		
Storage temperature	$^{\circ}$ C	-30 / +70		
Electrical Insulation	kV	4		
Oversoltage Category	-	III		
Protection degree	IP	20		
Pollution degree	-	2		
Climatic category according to (without condensation)	-	IEC 60068-1 (20/050/60) DIN 40040 (class D)		
Altitude up to	m	2000		
Weight	g	45		
Dimensions	mm	98 x 17.5 x 64		

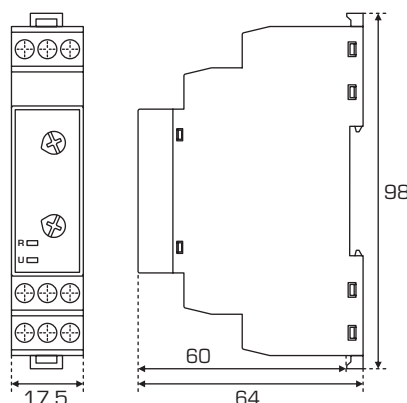
FUNCTIONS



DESCRIPTION



DIMENSIONS (mm)



WIRING DIAGRAM

